



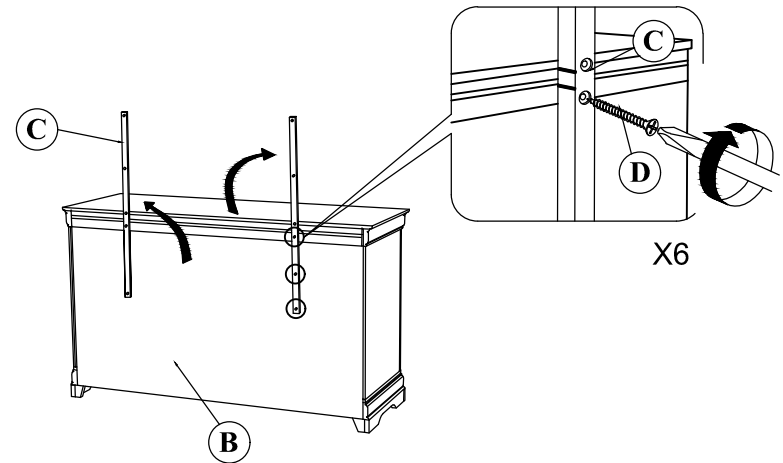
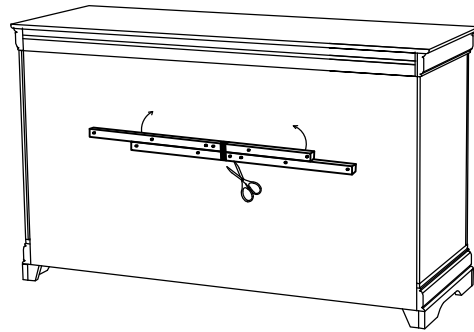


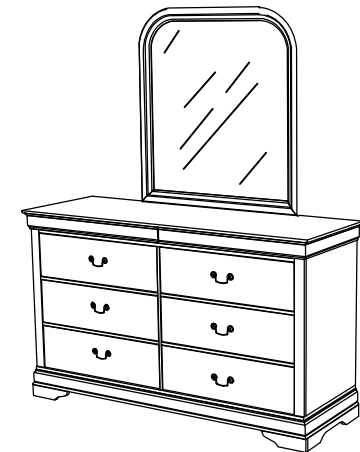
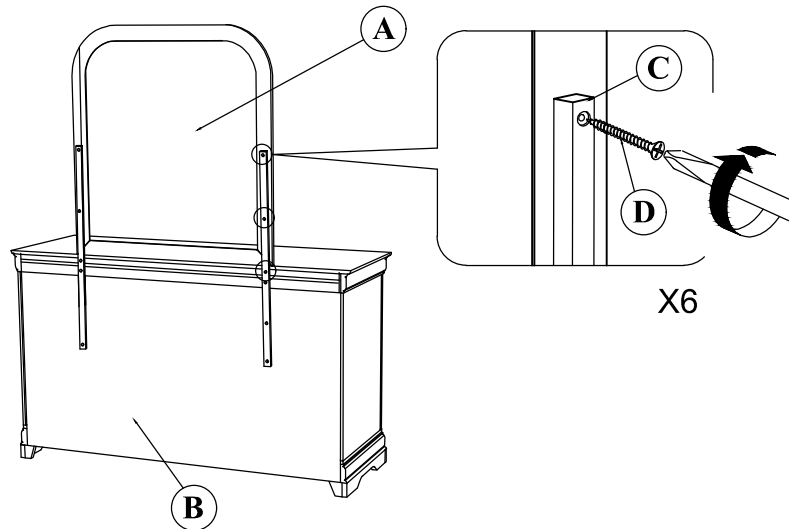
ASSEMBLY INSTRUCTIONS

MODEL : IDB03 DRESSER & MIRROR		
No	Part List	Qty.
A	MIRROR 	1 PC
B	DRESSER 	1 PC
C	MIRROR SUPPORT 	2 PCS
No	Hardware List	Qty
D	CSK SCREW M4 X 32mm 	10 PCS

STEP 1 : Cut off the raffia string from the back of Dresser (B). Turn the Mirror Support Rail (C) upward at the back of Dresser (B), then tighten with CSK Screw (D).



STEP 2 : Place the mirror (A) on top of the dresser (B) as shown. Tighten with CSK screw (D).



COMPLETED ASSEMBLY !!!

NOTE : MUST TIGHTEN SCREWS PERIODICALLY WITH USE SCREW WILL BECOME LOOSE, CHECK TIGHTNESS OF ALL SCREW EVERY 6-8 WEEKS.